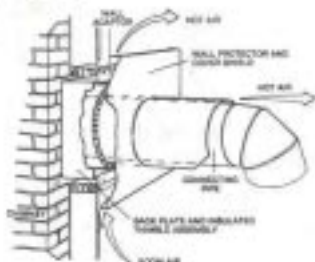


INSTALLATION & MAINTENANCE INSTRUCTIONS



Saf-T Thimble™

**UL Listed
through-the-wall
thimble assembly**



Model #3005
Adapts to 5 and 6
inch diameter
connector pipe

Model #3008
Adapts to 7 and 8
inch diameter
connector pipe

The Heat-Fab Saf-T Thimble is intended for use in conjunction with any residential and building heating appliance burning gas, liquid or solid fuels.

The Heat-Fab Saf-T Thimble is an engineered and Listed through-the-wall thimble assembly that reduces the minimum 18 inch clearance to combustibles required by N.F.P.A. 211 standard. The Saf-T Thimble is to be used as a thimble/wall pass thru to connect appliances to interior or exterior masonry chimneys.

A major cause of chimney related fires is failure to maintain required clearances (air space) to combustible materials. It is of utmost importance that the Saf-T Thimble be installed only in accordance with these instructions.

This Product is Listed by
UNDERWRITERS LABORATORIES INC.
and Bears the Mark:



SAFETY FIRST

The instructions provided with the Saf-T Thimble are intended as a guide to assist a qualified professional installer. Check your local building codes. Contact local building or fire officials about restrictions and installation in your area.

Inspect the chimney for structural integrity before you install the Saf-T Thimble. Inspect the chimney for loose or eroded mortar, cracks in the masonry, missing bricks, internal obstructions, unused flue holes, and excessive creosote formation.

If the chimney needs to be cleaned a professional certified chimney sweep should be used. In the cases where the chimney system is sized incorrectly, not in compliance with the current local building codes or in poor physical condition then a new lining system should be installed. We recommend our Listed Saf-T Liner designed for relining existing masonry chimneys. Saf-T Liner satisfies code requirements as a substitute for 5/8 inch fireclay liner and is U.L. Listed.

The wall protector and cover shield of the Saf-T Thimble should be installed on approved fire retardant sheetrock, millboard, brick or the like.

The Saf-T Thimble must be installed so there are no obstructions below or above the wall protector. The Saf-T Thimble should not be located directly behind a heating appliance (i.e. straight out wall behind appliance).

The Saf-T Thimble must be properly sized for your heating appliance.

Appliance Flue Collar Diameter	Use Saf-T Thimble Part No.
5"	#3006
6"	#3006
7"	#3008
8"	#3008

CLEARANCE FROM COMBUSTIBLE MATERIALS

The minimum air space clearance between interior masonry chimneys (which have any portion of the chimney located within the exterior wall of the building) and combustible materials shall be at least 2 inches.

The minimum air space clearance between exterior masonry chimneys (which have the chimney completely outside the exterior wall of the building, excluding the soffit or cornice area) and combustible material shall be at least 1 inch. The air space shall not be filled.

ASSEMBLY MATERIALS

The following tools and supplies are needed to complete the installation of your Saf-T Thimble:

Hammer

Silicon Caulking

Saw

Masonry Drill Bit (1/4 inch dia.)

Electric Drill

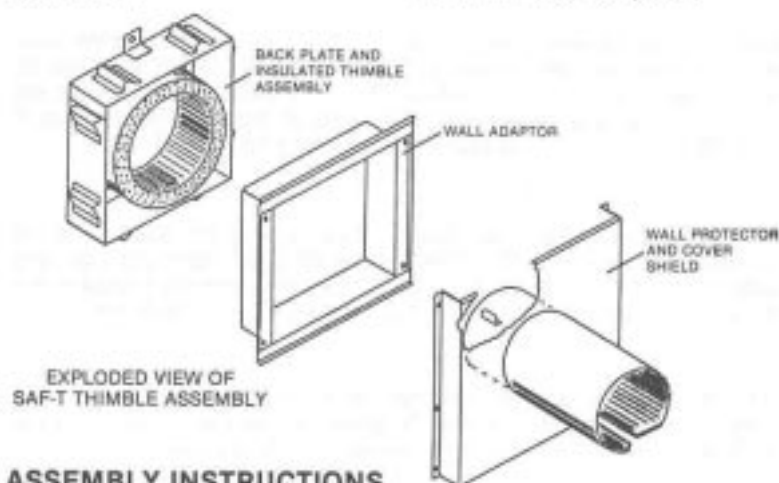
Screwdriver

Tape Measure

Level

Square

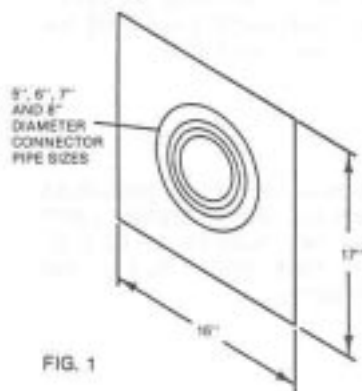
Saf-T Thimble Template



ASSEMBLY INSTRUCTIONS

1. There will be 3 types of installations; (1) where a thimble hole already exists in a properly lined chimney; (2) an installation that requires a new thimble and (3) an installation incorporating a new listed stainless steel liner system. In all cases on the carton which the Saf-T Thimble is packaged is a template that is supplied for the Saf-T Thimble installation. See Fig. 1.

Cut the template cleanly along the perforated lines. The template will measure 17 inches high by 18 inches wide. This template incorporates the required clearance of one inch for the installation of the back plate. There are four flue sizes marked in the center of the template 5", 6", 7", and 8" inch diameter. Cut out the required size for your installation.



Position the template where the Saf-T Thimble will be located and mark off around the template carefully. You will be cutting the interior, as well as the exterior wall so accurate measurements are necessary for a clean installation. In installations where there is an already existing connector pipe, place the template over the connector pipe and mark off around the template keeping it level. Remove the connector pipe and now you are ready to cut out the opening in the wall.

CAUTION: Make sure there are no electrical wires or plumbing lines within this section of the wall and proceed to cut slowly the opening for the back plate and insulated thimble assembly. If a wall stud or any other combustible material is encountered within this opening, it must be removed. Do not frame in opening until step #5 Fig. 4.

In installations where a new flue thimble is required; again take the template with the correct diameter hole for your connector pipe and position the template against the chimney wall. Mark off around the template the connector size for your flue thimble installation.

The Saf-T Thimble must be installed into a flue opening with structural integrity. A clay thimble is recommended in the masonry chimney in conjunction with the Saf-T Thimble for maximum safety.

2. Using the back plate and insulated thimble assembly as a template position and mark off the hole locations where the two support brackets on the back plate are located. See Fig. 2.

Remove the back plate and drill out with a masonry drill the two required $\frac{1}{4}$ inch by $1\frac{1}{2}$ inch deep holes in the masonry.

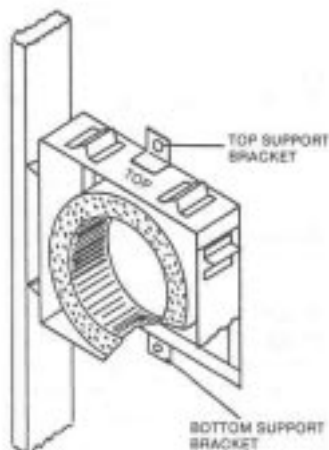


FIG. 2

3. Apply the exterior rated silicon caulking to the back periphery of the back plate. See Fig. 3.

Install the back plate and insulated thimble assembly with the side marked top in the up position with the two masonry bolts.

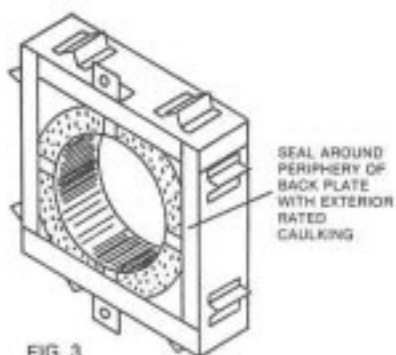
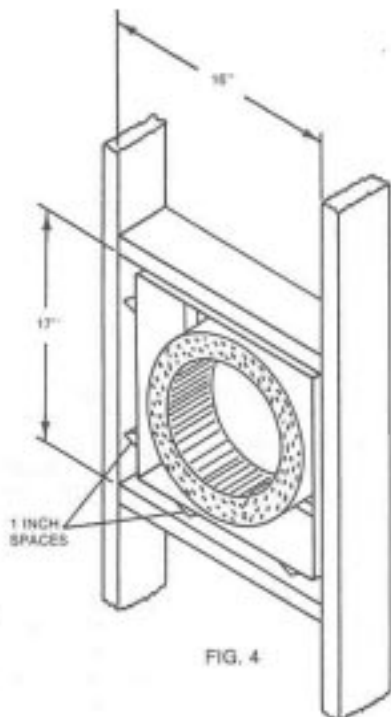


FIG. 3

4. If the chimney is constructed with a space beyond the exterior wall of the house, check the outside of the house for weather tightness around the periphery of the back plate. Do not place insulation in this area. Maintain at least 1" air space between the masonry and any combustible material.

5. Appropriate framing and headers must be installed to insure a safe installation of the Saf-T Thimble. See Fig. 4.

A one inch clearance is held around the periphery of the back plate by the built in spacers. The framing members abutt these spacers.



6. The Saf-T Thimble is designed to adjust to 4 thru 8½ inch wall structures. See Fig. 5.

The inner stainless steel sleeves that make up the insulated thimble adjust in and out. The insulated thimble is packaged in the full extended position to accommodate a wide wall structure. The insulated thimble must be adjusted so that it projects 2½ inches out from the finished interior wall surface.

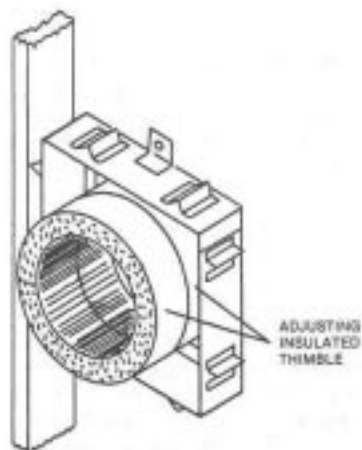


FIG. 5

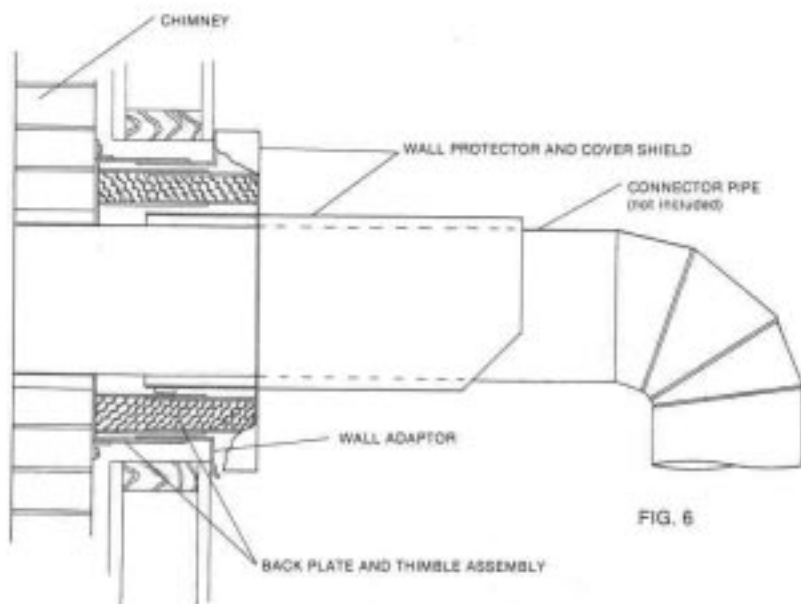
This will position the thimble flush against the back of the wall protector. When adjusting the insulated thimble **do not remove any insulation**, but lightly compress the insulation into its adjusted position so that the insulation is evenly distributed. **REMOVAL OF ANY INSULATION WILL VOID HEAT FABS WARRANTY.**

7. Take the wall adaptor assembly and position it so that it **slides** into the back plate and insulated thimble assembly. The wall adaptor adjusts inside the back plate for 4" thru 8½" wall structures and mounts flush to the framing headers. In wall structures of 6" inches or less in depth, spacers are required on the framing to secure the wall adaptor. Fasten the wall adaptor to the framing headers with the four supplied #8 round head wood screws. See Fig. 6.

8. Install the correctly sized connector pipe making sure the connector pipe is of quality construction and capable of withstanding the flue gas temperatures produced by the appliance.

We recommend the 22 gauge Saf-T Pipe or the equivalent. A minimum 24 gauge is required by code.

9. Install the wall protector and cover shield so that the rear extension of the cover shield slides into the insulated thimble. There are 3 spacers on the rear extension of the cover shield that fit snugly into the insulated thimble to maintain the proper air clearance. The wall protector and cover shield should now be firmly against the wall structure. Fasten the wall protector to the wall with the 6 supplied #8 round head wood screws, Fig. 6.



The Saf-T Thimble is now installed and the connector pipe can be attached to your appliance.

CHIMNEY MAINTENANCE

The chimney connector and chimney should be checked frequently during the heating season and cleaned by a professional certified chimney sweep, if necessary.

Formation of Creosote and Soot and the Need for Removal:

When wood is burned slowly, it produces tar and other organic vapors, which combine with expelled moisture to form creosote. The creosote vapors condense in the relatively cool flue of a slow burning fire. As a result creosote makes an extremely hot fire.

The chimney should be inspected at least once every two months during the heating season to determine if a creosote or soot buildup has occurred. If creosote or soot has accumulated it should be removed to reduce the risk of chimney fire.

After cleaning or inspecting the chimney or connector system, check the Saf-T Thimble for secureness of all parts. Make sure the chimney connector is routed to the chimney at the required upward pitch toward the chimney.

**Also available from
Heat-Fab**

Saf-T Liner[®]
Saf-T Pipe[®]

Quality venting products
used by professional installers
from

heat=fab[®]
INCORPORATED



130 INDUSTRIAL BOULEVARD
TURNERS FALLS, MASSACHUSETTS 01376
PART # PI-THIM

(413) 863-2242